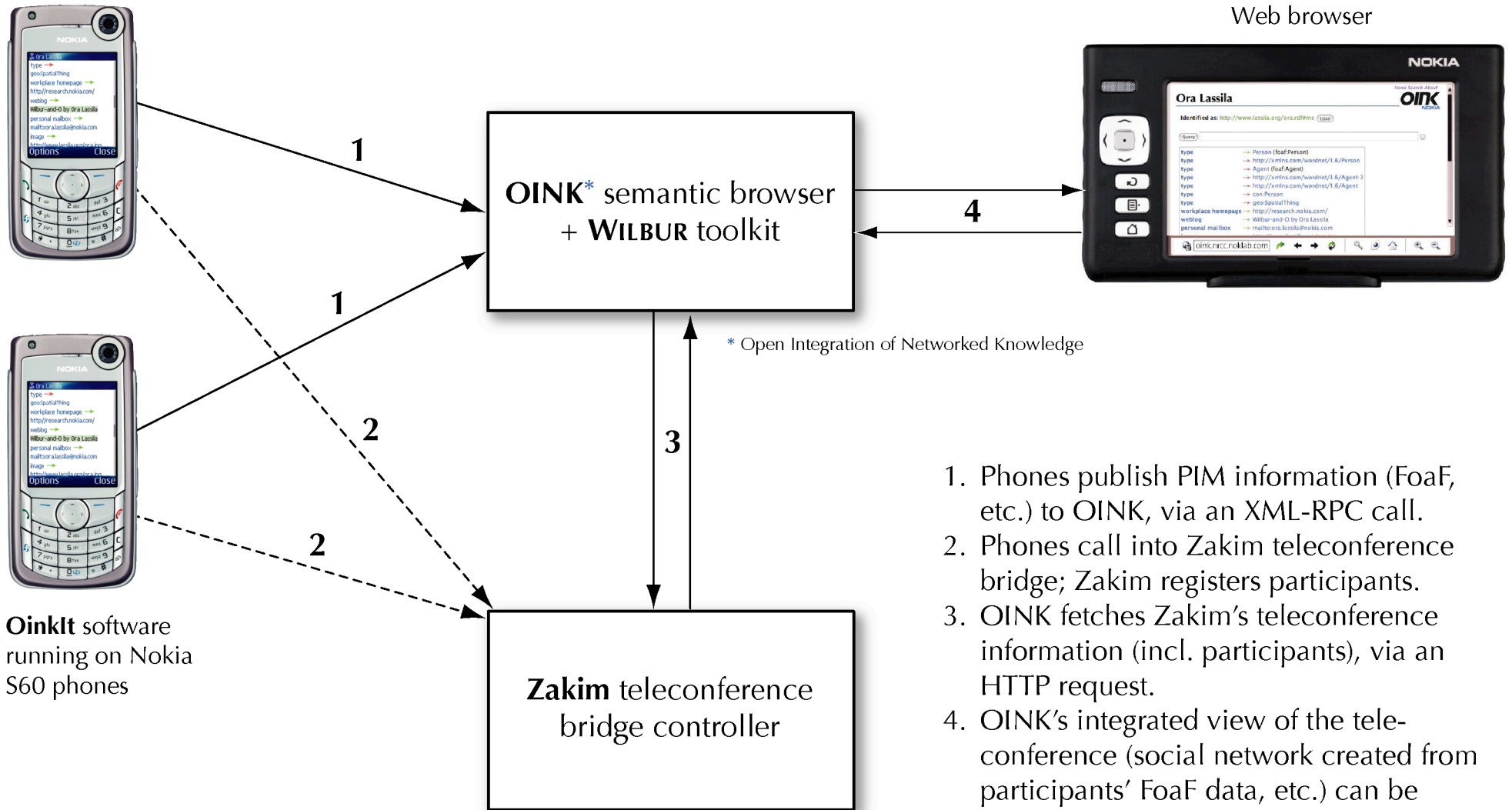


Semantic Web Demonstration Scenario



OinkIt software running on Nokia S60 phones

1. Phones publish PIM information (FoaF, etc.) to OINK, via an XML-RPC call.
2. Phones call into Zakim teleconference bridge; Zakim registers participants.
3. OINK fetches Zakim's teleconference information (incl. participants), via an HTTP request.
4. OINK's integrated view of the teleconference (social network created from participants' FoaF data, etc.) can be viewed on any Web browser, via HTTP.

Note: Information integration, in OINK, happens "automatically" by virtue of Wilbur's reasoner. All the code is generic; the semantics of teleconferences, people, etc. are entirely expressed in RDF data.



Demonstration software by Deepali Khushraj (NRCC), Ora Lassila (NRCC) and Ralph Swick (MIT/CSAIL). More information at <http://wiki.nrcc.noklab.com/SwapMe>